



Our Church Matters

Our Mission: Growing Together in Christ
Through Worship, Fellowship, Witness and Service

August 2015
Issue 7

Perhaps it's because, as I write this column, I am in the process of preparing to perform 4 marriage ceremonies between today and the end of October. I have marriage on my mind! And I'm guessing that another factor is that I performed a wedding last year that didn't make it a whole year. I was heartbroken to learn that a couple that appeared to be well-suited for each other were separated before they celebrated 11 months of marriage. Turned out that they did not share the same values after all.

So, how do you keep your marriage whole and vital? With each of these couples, we've spent some time talking about what helped them to fall in love in the first place. What did they do? What interests do they share?

In the hectic pace that many of us keep, it is so easy to forget to celebrate each other and to spend the kind of time that keeps a relationship whole. Date nights and those small, loving acts often unique to each couple, sometimes fall by the wayside. Spouses don't take time for each other – without the kids. We fall into patterns that lull us to the signs that we are not as close as we once were – and that's how we forget. Yet it is those kinds of things, mostly time alone, that keeps relationships fresh.

The embarrassing thing is that, even though I am supposed to know better (after all, I went to preacher school!), that very thing happened in my own life not too long ago – about a year before I came to be your pastor. Mom moved in with us, and we got into a pattern of not putting time aside for ourselves. I was at a training retreat, learning to coach in a way that people can move toward fulfillment, when I realized that I really missed Rich. My coach encouraged me to call him and make a date. I did – and we went out to dinner and a movie before I even went home and unpacked my bags.

It is so darned easy to forget to focus on the relationships that are necessary to keep us whole and healthy – as couples and as individuals. Time with God. Time with those we love. It's pretty

Inside this issue

• From the Pastor	1&2
• Christmas in July	3
• Men's Camping Retreat, From the Food Pantry, VIM, Gift Cards	4
• Hometown Hero's nomination & invite, Consignment Sale	5
• From the Library	6
• August Birthdays; Kairos Outside, What is a Teacher	7
• Youth Group News, Can you Help? Pot Luck, Coffee House	8
• For the Kids	9
• RIAssoc. & Community	10
• Miscellaneous Announcements	11
• Community Crisis Center Golf Outing	12
• Prayer Lists	13&14
• 3 Month Calendar	15
• Food Pantry Needs List	16

(cont. on page 2)

simple – but so hard to keep up with when the chaos of job, sports, elder care, or whatever claims your attention seems so urgent. I hope you'll make that date with your special guy or gal as soon as you finish reading this newsletter!

Rich and I will be on vacation (yes, alone!) from August 6 through August 16. We will be in Vermont, on an island in Lake Champlain. If there is an emergency, please call the church office, and Robine will either contact the clergy on call for me or our Care Team. If there is an emergency over the weekend or after business hours, please call George Hoffmann (410-340-1578) or Sue Wright (410-833-6738), our lay leaders, who will also be able to help you.

Blessings on you,

Vivian

Looking Ahead at Worship in August

August 2 – Final Segment of our Faith at the Movies Series:

The Lord of the Rings: Fellowship of the Ring

August 9 through 30 – Series: Women in the Bible

A cooperative effort of Deborah Grubb-Wheeler, Jannell Trcka and Pat Botelle will bring you a variety of creative reflections on the women in the Bible. A talk show, clowning, a radio show and a popular book are the vehicles for bringing these women to life. Don't miss out!

August 23 —Back to School Sunday and Blessing of the Backpacks! And POTLUCK LUNCHEON!

At both services on this special day, all school personnel and all students will be invited forward for a blessing at the beginning of the school year, and we will also bless the tools that they use in their everyday lives in school, so please bring your backpacks! And then, stay or return for the potluck luncheon from 11:45 (ish) to about 1 pm. Bring a dish to share join us to start off the fall season with sharing at table with others in the congregation. No agenda – just time to reconnect.

Save the Dates

Blessing of the Backpacks!

Prayer for all students and school personnel

Sunday, August 23, 2015

8:30 and 10:30 am services

Bring your backpack!

Blessing of the Pets

Sunday, October 5, 2014

5 pm

Church Lawn (weather permitting)





The music of Christmas fills my heart beyond anything you can imagine. Late June and ALL of July is spent listening to new music selections for the fall and Christmas at RUMC. I write to you on July 17th and my heart is full. My wish for all of the music makers at RUMC, is that we move into a new and exciting fall season with the spirit of Whoopi Goldberg in *Sister Act*, I DARE

YOU!

The Chancel Singers and Genesis One will move into this new season building on the positives and memories of the past. The blessings we have received have encouraged me to follow God's lead. When I pray, "can I," His voice to me, before I finish is, "YOU CAN!" I know the love of Christ is always present, always working in and through events to bring about the highest good.

So, hold on! We intend to rock this church beginning September 20, 2015 at 10:30 am. This is when we will embrace new rules of engagement. Through united song and dance, we will form a powerful current that will be charged with the mighty force of Christ love. There will be times when you will be requested to join in our celebration of His love..., DO SO! When you experience His presence, you not only receive blessings with value for you today, but those blessings that have worth forever and ever.

The Holy Spirit be with you

Bill Myers
Director of Music Ministries



**Men's Camping Retreat
Camp Harmison
September 18th—20th**

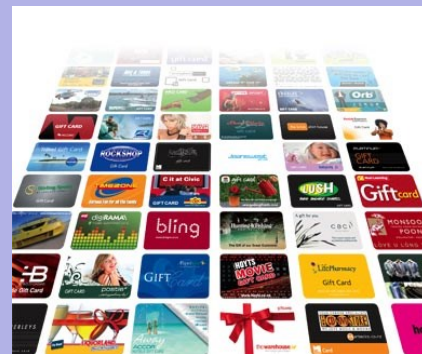
Camp Harmison is a 50-acre camp and retreat site near Berkeley Springs, WV. Located along the banks of Sleepy Creek this site offers quiet, serene surroundings for small retreat groups. Accommodations range from tenting and RV's to a small retreat house.

The topic of the retreat will be "Worship" and will be based on the book "The Adventure of Worship" by Gerritt Gustafson. The anticipated cost of retreat is expected to be approximately \$65.

Questions?

Contact Keith Quintrell at: kdq21136@comcast.net

Or Rick Fairhurst at: rjfj45@yahoo.com



August 16th is the date for our orders for Shoppers cards at the Fellowship Hall.

The cards are delivered on the following Sunday. These cards can be used for groceries, gasoline, restaurants and at many stores. Got a home project coming up? We sell Home Depot and Lowes. For back to school shopping, we have Target, Walmart, Office Depot and Staples. Like eating out, too many restaurants and fast food places to list here. Do your back to school and Fall shopping with our cards. You get full value and we get a percentage for our Missions work. Cards are delivered the following Sunday. Order forms are on the bulletin boards. Get an order form from the bulletin or RUMC website and check this out. A very great fund raiser for our Missions.

Questions, Any questions, call Tammy Nash 410-239-8394. Over \$1,000 raised so far in 2015.



From the Food Pantry

During the summer – we will be collecting school supplies to hand out to children in need in the community. Suggestions of items are:

- | | |
|--|----------------------------|
| Crayons, markers, pencils, colored pencils | Packs of paper, notebooks, |
| Folders | Page protectors, dividers |
| 3 ring notebooks - 2" preferred | 3 x 5 index cards |
| Pencil sharpeners, rulers, scissors | Backpacks |

Donations: please remember to leave any donations (including clothes) for the food pantry in the designated bins in the Narthex or in the large laundry hamper by the Fellowship Hall. Please don't leave bags in stairwells, hallways, the old kitchen or outside the church doors.

The Community Lunch served 46 on July 4th – we sent home 20 meals and froze another 20 for the food pantry. We will be having our next lunch on August 1st from 11:30 to 1:00. If you would like to help with preparation or serving – please contact Lani at 410-526-6967 or lani05@verizon.net.

VOLUNTEERS -IN-MISSION



Attention all VIMmers and interested parties!! Believe it or not there are still families attempting to recover from 2012's Hurricane Sandy. So we're going to lend a hand! And we need YOU!! Please consider joining our group as we head to New Jersey in September of this year. There is such a need - and we can make a difference! It matters not if you have any construction skills - there is SO much to do! Bring a friend - ask your neighbors - grab a family member! New Jersey is close enough to drive, so come as you can. Two days - three days - the whole week! Interested?? Contact Kim Riesenfeld (410-833-2065) or Cathy Ritter (410-526-4031).

Annual Children's Consignment Sale

Is it possible to help support the *Food Pantry, our Youth Program and Youth Camp Scholarships, Kairos, the Alpha Pregnancy Center, our college students with College Care packages and tithe to our church* **ALL AT THE SAME TIME???? Absolutely!**

These are some of the missions supported by funds raised last year from the Children's Annual Consignment Sale.

The 2015 Annual Children's Consignment Sale is on **Saturday, August 29th** from **7 a.m. until 3:00 p.m.** We need your help. **Help us get the word out to the community about the sale.**

There are postcards and flyers available at the Welcome Center for distribution to advertise the sale.

If you would like to be a consignor...

**** New Automated Tagging System for consignors. ****

For more information or to consign, go to our new and improved website: <http://rumcconsign.vpweb.com/>

We need your help

Wednesday, August 26th setting up in the evening

Friday, August 28th sorting sale items in the afternoon and evening

Saturday, August 29th..BIG SALE DAY room assistants, sorters, interpreters and cleanup crew. Signup sheets are located at the Welcome Center or contact Bonnie Lieberman at 410-313-9496 or email bnblieb@comcast.net. Thanks in advance for your support!



**Reisterstown
Local Hero!
Nominate your
hero today!**

Know someone extra super in your community? Nominate your favorite local hero and tell us why they should be named: **2015 Reisterstown Hometown Hero**

Pick up a nomination form @ the Reisterstown Library 21 Cockeys Mill Rd

Heroes and nominators are eligible to win prizes!

Return to the Reisterstown Library by Sunday, August 9th

Your Name:

Your Contact:

Local Hero Nomination:

Local Hero Contact:



Tell us why this person is your Local Hero:

Four horizontal lines for writing a nomination.

Sponsored by *Glyndon Grill!*

Please join us for a

**HOMETOWN
HEROES PARTY**

at the Reisterstown Library

Wednesday
19th of AUGUST 5-7pm

Celebrate Reisterstown's Hometown Heroes with a cookout! The 2015 Hometown Heroes contest winner will be announced.




From the Library



Heads up! Children and youth join us for some summer fun in a garden of imagination. The library will sponsor a reading challenge called "Watch Your Library Garden Grow" from July 1 - August 9.

Library Log

1. Good news! We are beginning a collection of audio books. Normally they are located on a shelf behind the desk; however, they are all checked out! We plan to add to our collection. So far we own:

- *Rose Harbor* by Debbie Macomber
- *Cross Roads* by William Paul Young
- *Buddy, How a Rooster Made Me a Family Man* by Brian McGrory
- *The Beginner's Goodbye* by Anne Tyler
- *Christmas Tree Lane* by Debbie Macomber

2. Reminder: If you are reading for the UMW program your list is due to Kelly Fairhurst by the end of summer.

3. Reminder: The reading program for our children and youth runs until August 9th. All books count--even those not from our library. Simple rules--stop by and check out books, return them and put titles on your index card, and finally write your name on a leaf for each book. Help our garden grow.

UMW Reading Program



Attention RUMC Women!!

Do you like to read?

If so, please participate in the
UMW Reading Program.

The purpose:

- Expand understanding of and participation in God's mission.
- Increase sensitivity to all human beings—their needs, interests and concerns.
- Encourage critical thinking about issues facing humanity today.
- Grow in understanding of Scripture as it relates to Christian faith in contemporary life.
- Enhance self-knowledge and act from that knowledge.
- Strengthen involvement in local and global Christian mission.

All books, the program brochure and the pamphlet to log your reading are available in the library on the shelf behind the desk. You will find the *Response* magazine available to read, as well. If you have any questions, please contact Kelly Fairhurst.

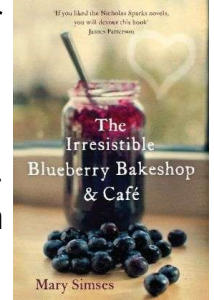


Book Club

will meet August 19
at 7:00 pm
in our library.

We will discuss the novel,
The Irresistible Blueberry

Bakeshop and Cafe, by Mary Simses. A busy New York City lawyer takes a weekend to drive to Maine to deliver a letter for her grandmother who has recently died. This book is great summer reading. Pour a glass of iced tea, prop up your feet and prepare for romance, family secrets, laughter, sighs of contentment, and blueberry pie you can almost taste. Remember this is open to all.



UMW Reading Program



Attention RUMC Women!!

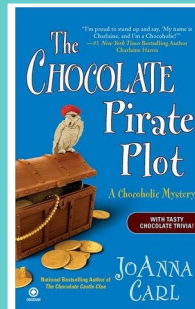
Do you like to read?

If so, please participate in the
UMW Reading Program.

The purpose:

- Expand understanding of and participation in God's mission.
- Increase sensitivity to all human beings—their needs, interests and concerns.
- Encourage critical thinking about issues facing humanity today.
- Grow in understanding of Scripture as it relates to Christian faith in contemporary life.
- Enhance self-knowledge and act from that knowledge.
- Strengthen involvement in local and global Christian mission.

All books, the program brochure and the pamphlet to log your reading are available in the library on the shelf behind the desk. You will find the *Response* magazine available to read, as well. If you have any questions, please contact Kelly Fairhurst.



From the Shelves

Our church library has some more chocolate for you! Lee McKinney Woodyard is back in another "Chocoholic" mystery. This time,

it's "The Chocolate Pirate Plot." In Warner Pier, a movie called

"Young Blackbeard" is all the rage, and Ten Hu is Chocolate is cashing in by selling chocolate treasure chests, pirate hats, and ships. Then, a group of pirates starts boarding yachts on Lake Michigan. Since they entertain the occupants and their weapons are fake, nobody thinks anything of it until a body washes ashore. Can Lee solve the mystery before anything else happens? It's worth checking out.

-Beth Waters



8/3

Pete Caltrider
35 South Lake Way
Reisterstown, MD 21136

8/4

Sarah Smith
8 Waugh Ave
Glyndon, MD 21071

8/4

Lois Woodworth
501 Cockeysmill Road
Reisterstown, MD 21136

8/10

Alice Caltrider
34 South Lake Way
Reisterstown, MD 21136

8/12

Mary Weber
3305 Toggenburg Dr.
Finksburg, MD 21048

8/14

Ron Lewis
4404 Silverbrook Lane, E102
Owings Mills, MD 21117

8/22

Richard Bagwell
312 Leyton Road
Reisterstown, MD 21136

8/26

Edith Oursler
16039 Trenton Road
Upperco, MD 21155



KAIROS OUTSIDE

"One man's trash is another man's treasure!" That's so true for the women of Kairos Outside. The ministry is in need of clean 5 gallon buckets WITH HANDLE. These are sometimes packaging for Kitty Litter and detergents but may also be packaging for other products.

If you have any or know anyone who does, please save them for me. We need about 30 by the end of September but I will take them whenever you have them.



The KO Team members decorate the buckets and they are used for the Guests to carry home the multitude of flowers they receive from the Kairos Outside, Kairos Inside, Emmaus and church communities who bring them each a flower to represent God's unconditional Agape love.



Contact Deby Brooking at 410-370-4108 to arrange pick-up. Thank you and God bless!

WHAT IS A TEACHER?



What is a teacher, if not a mirror in which we perceive the divine image hidden in the soul?

What is a teacher, if not a sower of seed and a cultivator of young gardens?

What is a teacher, if not a shaper of souls and a guide who gently shows the right path for the journey?

What is a teacher, if not the most hopeful of dreamers, who plants and nurtures and sees the bright destiny and harvest of the work even when the student cannot?

What is a teacher, if not a shepherd watching over the flock and leading it to abundant pastures?

Dreamers and sharers of dreams, sowers of seed and guides who chart the way, mirrors of goodness and shepherds of grace — it is for these teachers and this ministry that we give abundant thanks to God.

—Author unknown

Thank a teacher today!

Reisterstown U.M.C. Youth Ministry News...

Acolyte 2015 Summer Schedule—we have some empty dates—can you fill in? Contact

Susan Harry at gwtwsue2@comcast.net or call her cell at 410-245-7190

Aug. 2 Angela Myers

Aug. 9

Jonathan Raab

Aug. 16 Tyrese Harris (tentative)

Aug. 23 _____

Aug. 30 Maddie Stewart

Youth Volunteers needed for Consignment SALE-Mark your calendar to help on Friday August 28th & Saturday August 29th! This is a huge fundraiser for our church.

Please contact me by phone or email if you have any questions, 410-245-7190.

Blessings, Susan



Dick and Ann Harden need assistance with round trip transportation between Randallstown and Westminster for 2 medical appointments this fall for Ann's brother Steve who is deaf. Generous stipend for service. If able to help, please call 410-876-3871.

SAVE THE DATE



SAVE THE DATE!

FIRST POT LUCK FOR THE UPCOMING SEASON

AUGUST 23RD

11:45 am

Come and join us on August 23rd after the second service. Bring a dish to share, reconnect after summer vacations, and enjoy each others company and fellowship. More details to follow!



**UPCOMING Washed
Anew
Coffee Houses**

August 8th, 6:00—8:30
pm

September 12th, 6:00—8:30 pm

Fellowship Hall

Come out for a time of fellowship with our community. Light supper will be provided and good music provided by Washed Anew. Mark your calendars NOW!

GLOW- IN-THE- DARK BOWLING



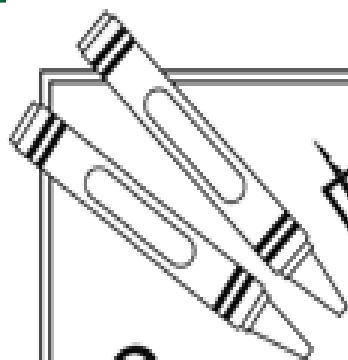
Make this fun summer game to play at the beach, a park or in your yard.

What you need:

- 10 empty plastic bottles (same size)
- 10 or more glow sticks
- Water (optional)
- Star stickers (optional)
- Hamster ball (or regular ball)
- Tape

What you do:

1. Place one or two activated glow sticks in each bottle. Fill bottles with water and decorate with star stickers, if desired. Screw on lids.
2. Put some glow sticks inside the hamster ball. Screw the halves together, and secure sides and lid with tape.
3. Challenge someone to a game of bowling. For the best glowing effect, play after dark.



PUZZLE

Summer's gifts

Summer brings longer days, warmer nights and – for many people – time spent near water. Complete this puzzle to find out who's behind all those summertime joys.



Directions: Read Jeremiah 31:35 (NIV) below. Draw a around words describing God's actions. Draw an around words that describe day. Underline words that describe evening. Draw under words that describe the ocean.

He who appoints the sun to shine by day,
who decrees the moon and stars to shine by night,
who stirs up the sea so that its waves roar ...



Directions: Circle the capital letters. Then write them from left to right on the lines below to reveal God's name in this Bible verse.

i t T w H s p j E k e m a b L f g O h b c R d

e D q r s t c e a t o n a h f z z v u A w y L

a v n M q z l s k y z G u w H h m o T k j k Y





Answer: The LORD Almighty



MUSIC on MAIN STREET
 Free Live Concerts – Franklin Middle School
 FRIDAY NIGHTS 7:00 PM TO 10:00 PM
 LATE JUNE – SEPTEMBER

August 7th—Kanye Twitty
 August 14th—Lovely Rita
 August 21st—The Beach
 August 28th—The New Romance

MUSIC ON MAIN STREET CONCERTS - on the front lawn of Franklin Middle



ROMG CHAMBER OF COMMERCE – 25th ANNUAL CRAB FEAST –
Thursday, August 20th – American Legion Post #116 in Reisterstown,
 tickets \$49. Contact Colleen Brady colleen@romgchamber.com

Your family is invited to attend...

**Reisterstown
 National
 Night Out**

Theme: Safety, Health and Environment
 Date: Tuesday, August 4, 2015
 Place: Chartley Park Shopping Center -- Chartley Drive

Time: 6:30 p.m. to 8:30 p.m.

Free to all Residents



- ❖ Free Chick-Fil-A Nuggets to first 300 persons. *
- ❖ Free Cold Drinks and Snow Balls.
- ❖ BGE High Voltage Demonstrations at 7:00 p.m.
- ❖ American Ken Pro Karate Self Defense Demonstration at 7:30 p.m.

Sponsored by the Chartley Homeowners Association, the Country Club Estates Community Association and the Reisterstown Improvement Association

Plan a fun night out with your family and support your community



**REISTERSTOWN
 FARMERS MARKET**

Sundays beginning May 31st 10am—1pm
**Organic & Conventional Produce,
 Vegetables and Fruit, Berries, Eggs, Meat,
 Flowers, & Herbs as well as soups, other
 prepared and baked goods.**

Located in the back lot behind Compassionate Tax Service
 near intersection of Main Street and Glyndon Drive
362 Main Street

SPONSORED BY  *Center for
 Spiritual Living™
 Central Maryland*

362 Main Street
 Reisterstown MD 21136
 Phone: 443.841.8700
 www.csicmd.org
 Email: revalice@csicmd.org

In cooperation with the Reisterstown Improvement Assoc., The Main Street Committee & ROMG Chamber of Commerce



Upcoming Church Pot Luck Luncheons

August 23rd—Back Pack Sunday

October 18th

November 29th

January 31st, 2016

March 13th, 2016—Chili Cook-off

Sykes Toy Project Seeks Donations

The Sykes Toy Project has been in operation for the past 20 years collecting and repairing toys for needy children in the Reisterstown, Owings Mills and Glyndon area.

There are 15-20 hard-working volunteers from Reisterstown meeting twice a week at Northminster Presbyterian Church to refurbish toys, games, puzzles, crafts, and books for babies to teenagers. Everything is distributed to needy families in December to make the holidays a bit brighter. Last year approximately 500 children from our community received presents from this project. Additionally, we send all remaining toys to the **Bea Getty Family Center** in Baltimore City.

Whether you represent a service organization or are an individual who has cleaned out your toy room, please recycle your gently used or new toys with this worthwhile project.

To arrange a time for dropping off, or to have someone pick up your donation, call **Joan Stall at 410-833-6413** and leave a message. Be sure to call us **after** your yard sale. A tax credit receipt is available,



Dear Friends,

We are so very blessed by your generosity towards our moms and their precious babies! Thank you so much for all the wonderful baby items and financial donation you collected during your VBS. Your prayers and support are an essential part of our ministry. Though you are unable to physically see the smiles on our moms and babies faces, please know that you are making a true difference in their lives for eternity.

God Bless!

In His Love

Debbie for Alpha

Dear RUMC

Thank you for the many months of kindness you have shown me through my knee surgery. Each and every gift was special and remembered. I am certain they were made and given with Christian love, prayer and purpose. With a grateful heart,

Doris Matthews

From one of our VBS Grandparents

I wanted to follow up and say thank you for my grandsons having the opportunity to attend the G Force Vacation Bible School last month. They loved it and still sing the songs. Please let the staff know that I said thank you very much I know this is coming late.

Keon, Desmond and Jayon's Grandmother

Ivolee

Electronic giving doesn't take vacations

This summer, if you can't make it to church due to travel or other commitments, we encourage you to automate your regular donations. The church relies on the consistent financial support of the congregation and electronic giving offers an easy way to give on a recurring basis. Please visit the church website and locate the giving page. We thank you for your continued support!

The Community Crisis Center

Annual Golf Outing

Come out and support a great cause!

Friday, August 28th

7:30 am | Shotgun start

Oakmont Green Golf Course

2290 Golfview Lane, Hampstead, MD 21074

\$80 Per Person

Includes Golf, cart, lunch, prizes, free range balls

Featuring

Silent Auction, 50/50 Drawing, Photo Contest,

\$10,000 Hole in One, Putting Contest,

Long Drive, Closest to the pin and more...

Must be prepaid. Pay with: PayPal @ www.communitycrisiscenterinc.org

Or

A check made out to Community Crisis Center At PO Box 526, Reisterstown, MD 21136

For more information, contact Ed Hartman at Edmhartman@gmail.com

We need you help stabilizing those with barriers to independence in our community. Community Crisis Center will be hosting our first annual Golf Outing on Friday, August 28th at Oakmont Green Golf Course in Hampstead

We are looking for corporate sponsors who want to get great exposure while supporting a great cause! Here are ways you can sponsor this fantastic event:

Event Sponsor | \$1500

Luncheon Sponsor | \$1300

Hole in One Sponsor | \$300

Contest named after Sponsor | cost to offset cost of insurance to cover prize

Long Drive Sponsor | \$200

Putting Contest Sponsor | \$200

Individual Hole Sponsor \$100

Sign acknowledging your sponsorship at the tee

If you are interested in any of the following opportunities to help us out, please check the appropriate box below and return the bottom portion of this form to Community Crisis Center at PO Box 526, Reisterstown, MD 21136

Name: _____

Organization _____

Address: _____ Phone Number: _____

Event Sponsor _____

Luncheon Sponsor _____

Hole in One Sponsor _____

Long Drive Sponsor _____

Putting Sponsor _____

Individual Hole Sponsor _____

I am interested in playing in the tournament _____

OUR MEMBERS IN SENIOR COMMUNITIES

Augsburg Lutheran Village

Margaret Merkel

Carroll Lutheran Village

Dot Bond,
Ann Garman
Francis Koenig
Louise Meyers
Elsie Smith,
Nancy Welsh

Cherrywood

John Glennie

Emeritus, Westminster

Dotty Harry

Fairhaven

Bob Walker

Golden Crest-Hampstead

Betty Leppo

Hampstead Village

Wilma Cook

Lorien Center

Viola Evans

Mercy Ridge

LaRue Allewalt
Peggy Miller

Salony House

Sibyl Stevens
Edythe Hastings

Springwell Senior Living Community

Frank Simmonds

Tremont Place

Betty Flohr
Doris Matthews

OUR MEMBERS AT HOME

Ethel Baker Betty Leppo Shirley Krause Doris Martin
Bill & Colleen Eysaman Mary Jane & Stewart Reed

LOVED ONES SERVING OUR COUNTRY

Joshua Coleman, Rosemary Dragunas' nephew—United States Air force, serving in Qatar

Lindley Garcia, Carol Judkins' friend — USMC not currently deployed

Elizabeth Haines Greenway, Marion Yohn's granddaughter, serving in the Army in NC

Ryan Hirsch, Lauren Trail Hirsch's husband — Army National Guard

Steven Lee, Carol & Danny Lee's son —Senior Chief, Navy, (21 years) not currently deployed

Vance Listwan, Son of Rachel & Mark Utterback, serving in the Air Force, stationed in Germany

Dennis Mack, Thelma Mack's nephew— serving in the Army

Allen Messenger, Ruth Whitlock's grandson, being deployed to Kuwait



PLEASE PRAY FOR RUMC MEMBERS

- * **Reverend Bud Brown**, prayers for healing as he undergoes tests ^(7/12)
- * **Aleta Harry**, recovering from surgery this past week ^(7/26)
- * **Monte Hatcher**, pray for continued healing from surgery ^(7/26)
- * **Susan Henry**, prayers for safety on missions trip to Bolivia ^(7/26)
- * **Mary Lewis**, prayers for strength and wisdom as she takes care of Ron ^(7/26)
- * **Ron Lewis**, prayers for healing of mind, body & spirit ^(7/26)
- * **William Lundy**, prayers for healing and wisdom for the doctors ^(7/19)
- * **Janie Yohn**, recovering from hip surgery on July 27th ^(8/2)

PRAISE: Hayley Caltrider came home on Saturday, July 25th! Thank you for all your prayers!



RUMC Prayer List— PLEASE PRAY FOR RUMC FAMILY, FRIENDS, & NEIGHBORS

- * **Steve Ames**, prayers for healing ^(7/26)
- * **Dean Bogert**, Daryl Bogert's brother, undergoing cancer treatment, prayers for healing ^(7/26)
- * **Hayley Caltrider**, came home from hospital, 7/25! PTL ^(8/2)
- * **Ann Durham**, Jane Peter's sister-in-law, pray for relief from pain and healing. ^(7/5)
- * **Ali Fox**, friend of Morgan Aasen that worked at West River, pray for healing and for peace— possible cancer ^(7/19)
- * **Frank & Hazel George**, prayers for healing of health concerns ^(7/19)
- * **Ann Harden**—Multiple Myeloma
- * **Dick Harris**, Denny Trail's father-in-law, in York Hospital ICU for heart surgery ^(8/2)
- * **Gene Humphrey**, John Humphrey's brother, diagnosed with Alzheimer's, progressing fast ^(8/2)
- * **Milton Mason**, Janet Harry's father, in Franklin Square, pray for healing ^(7/12)
- * **Bernel Mayers**, Rose Oakman's sister, in

Nursing Home in NY ^(8/2)

- * **Maggie McFarlane**, chemo not working, has only a few months left. Please pray for comfort and peace ^(7/26)
- * **Ruth Nelson**, Cindy Bond's mother, recovering from additional eye surgery last week ^(8/2)
- * **Sue Newcomer**, Christy Newcomer's mother, prayers for healing ^(8/2)
- * **Dr. Neal Prendergast**, Tim Mayer's uncle, prayers for healing ^(7/19)
- * **Inez Robinson**, William Lundy's cousin, prayers for healing ^(8/2)
- * **Marlyn**, Ronnell Went's sister, pray for healing ^(7/12)



Three Month Calendar

AUGUST

- 1 10-1pm Community Kitchen—serving 11:30—1:00pm Fellowship Hall
 2 6-1 Nueva Jerusalem Prayer & Fasting NSC
3-17th Vivian on Vacation
 5 6pm Faith in the Movies—The Lord of the Rings Fellowship Hall
 8 6 pm Washed Anew Coffee House Fellowship Hall
10-17th John on Vacation
 11 7-4 Mission of Mercy Fellowship hall
 15 ALL DAY JOY Bus Trip
 16 Deadline for: Newsletter articles, Gift Card Orders, RADA Knives Orders
 9:00 am—1:00 pm Blood Pressure Screening NSC Narthex
 11:45 am Youth Council Fall Planning Mtg. Library
17-21 Robine on Vacation
 19 7pm Book Club Library
 Missions meeting Parlor
 VIM mtg. 308
 23 8:30 & 10:30 service—Blessing of the Back Packs
 11:45 am Potluck Luncheon
 25 7am-4pm Mission of Mercy Fellowship Hall
 26-28 Consignment Sale Set-Up All ROOMS
 27 7:00 pm Choir Resumes rehearsal Choir Room
 28 10:00 am Prayer Shawl Ministry Parlor
 29 7am-3pm Consignment Sale All Classrooms

SEPTEMBER

- 5 10—1pm Community Kitchen; serving 11:30—1:00pm Fellowship Hall
 6 11:45 am Youth Council Meeting Library
 7 **LABOR DAY—OFFICES CLOSED**
 12 ALL DAY Reisterstown Festival
 6pm Washed Anew Coffee House Fellowship Hall
 15 7:00— 4:00 Mission of Mercy Fellowship Hall
18-20 ALL WEEKEND Men's Fellowship Retreat and Camping
 19 All Day ROMG Fall Crawl Business Expo Fellowship Hall
 20 Deadline for: Newsletter articles, Gift Card Orders, RADA Knives Orders
 22 6:30 pm New Members Class with Church Council Library
 26 2-4pm **CHARGE CONFERENCE PLEASANT HILL UMC**
28-10/2 VIVIAN STUDY WEEK

OCTOBER

- 1 7:00 pm UMW Library
 3 10-1 pm Community Kitchen Fellowship Hall
 6 7-4 Mission of Mercy Fellowship Hall
12 ALL DAY Turnbaugh Trust Application submissions DEADLINE
 17 8:00 am Men's Fellowship Breakfast 308
 18 Deadline for: Newsletter articles, Gift Card Orders, RADA Knives Orders
 Blood Pressure Screening NSC Narthex
 19 6:00 pm JOY Pretzel Making Kitchen
 6:30 pm Turnbaugh Trust Quarterly Meeting
 21 7:00 pm Book Club Library
 25 9:30 am JOY Cookie Walk Fellowship Hall
 12:00 pm New Members Class Luncheon Room 8
 27 4:00 pm MD Sings Outback Fundraiser Fellowship Hall
 31 TTBD MD Sings Gala Performance (tentative) Fellowship Hall

Mondays

- 10 am to 12 pm — AA, 308
 1:30-3 pm—Infants & Toddlers , 308
 7 to 8:30 pm— AA, 308
 8 to 9:30—Nueva Jerusalem, NSC, Band practice

Tuesdays

- 10:30 am – Staff Meeting (with FULL staff quarterly)
 6:30 to 8 pm—Washed Anew Rehearsal
 7:00 pm—Sisterhood, 308

Wednesdays

- 10 am to noon – Library Committee
 8:30 am –3:00 pm—Infants & Toddlers, 308
 6 to 8 pm – Food Pantry Open
 7:00 to 8:30 pm— Praise Band
 7:00 pm—Men's Fellowship, 308

Thursdays

- 8:30 am—1:30 pm – Infants & Toddlers
 7 to 9 pm—Adult Choir
 7 to 8 pm—NA, 308
 7:30 to 9 pm – Nueva Jerusalem, NSC

Fridays

- 8:30 am—1:30 pm – Infants & Toddlers, 308
 6:30-7:30 pm—Daisy Troop, RM 7
 8 to 10 pm—NA, 308

Saturday s

- 9 to Noon—Food Pantry Open
 9 am to 3 pm—Maryland Sings Rehearsals
 9:30 to 11:30 am—AA , 308

Sundays

- 2 to 6 pm—Nueva Jerusalem, NSC

Most Sundays

- 11:30 to 12:30 – Joyful Noise Handbell Rehearsal

Every Sunday

- 6 to 8 pm—Youth Group (End of August through May)

- First Sunday of the Month**— Nueva Jerusalem, NSC, Fasting and Prayer service

- Last Friday of the Month**—Nueva Jerusalem, NSC, Prayer Service

- 1st Monday—Worship Design Team (7 pm)

- 1st Tuesday—Worship (7 pm)

- 1st Wednesday—Evangelism (5 pm)

- 1st Saturday— Community Kitchen

- 1st Thursday—UMW (7 pm)

- 2nd & 4th Mondays—History & Records (9:30 am)

- 2nd Tuesday—even months Finance (6:30)

- 2nd Tuesday—odd months— Trustees (6:30)

- 3rd Sunday—Newsletter Dead-line and Gift Card orders

- 3rd Sunday— Blood Pressure Screening

- 3rd Tuesday—SPRC (7 pm)

- 3rd Tuesday—Quilting Bees (7 pm)

- 3rd Wednesday – 7 pm – Missions

- 4th Tuesday – 7 pm—Church Council

- 4th Thursday—7 pm—His Hands & Feet

NOTE: the current and updated every time we up-date it in the office calendar is available online at: https://www.google.com/calendar/embed?src=runcoffice1777%4ogmail.com&ctz=America/New_York (Just copy and paste into your web browser if it doesn't open.)

FOOD PANTRY DONATIONS ARE NEEDED YEAR ROUND:

- Canned vegetables
- soup and crackers
- peanut butter and jelly
- Toiletory items
- Deodorant
- liquid dish soap
- Canned fruit/applesauce
- Macaroni and cheese
- Pasta and Spaghetti sauce
- Stuffing & Mashed potatoes
- toothpaste
- Tuna
- cranberry sauce
- cereal
- gravy
- shampoo



Reisterstown United Methodist Church

246 Main Street

Reisterstown, MD 21136

Phone: 410-833-5440

Fax: 410-526-6838

Pastor Vivian C. McCarthy

E-mail: Pastorvivianmc@gmail.com

Office Email: RUMCOffice1777@gmail.com

WEBSITE: www.rumcweb.org

Facebook: <https://www.facebook.com/ReisterstownUnitedMethodistChurch>

WORSHIP TIMES

8:30 am Praise Service

9:30 am Grow Hour (Sunday School)

10:30 am Spirited Traditional Service

Cribbery available during all times for infants through toddlers.

PLEASE
PLACE
STAMP
HERE